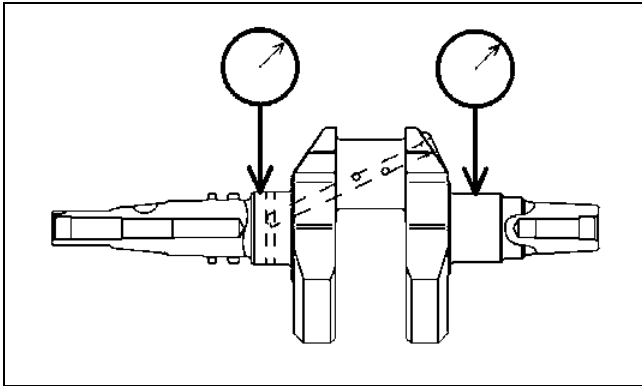
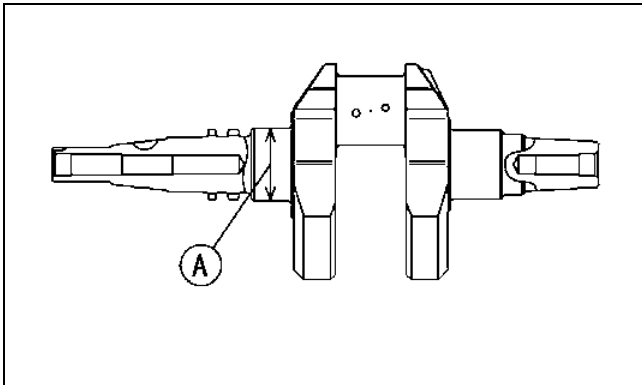


7. Slowly turn the crankshaft and note the readings at the points indicated. Crankshaft runout must be less than 0.10 mm (0.0039 in.).



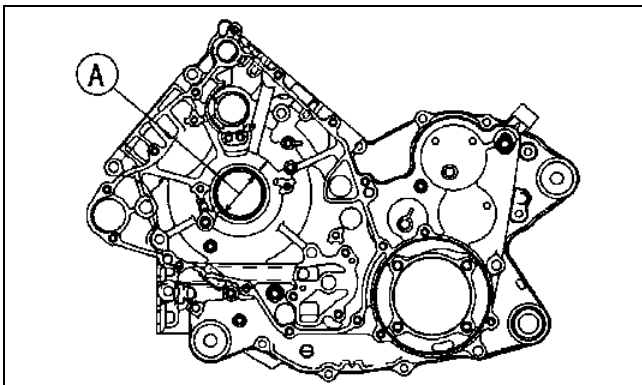
ATV2075

8. Measure the crankshaft main journal (A). It must be greater than 41.96 mm (1.652 in.).



ATV2076

9. Measure the main bearing bore diameter (A) in the crankcase. It must be less than 42.08 mm (1.6567 in.).



ATV2077

DISASSEMBLING OUTPUT DRIVE BEVEL GEAR ASSEMBLY

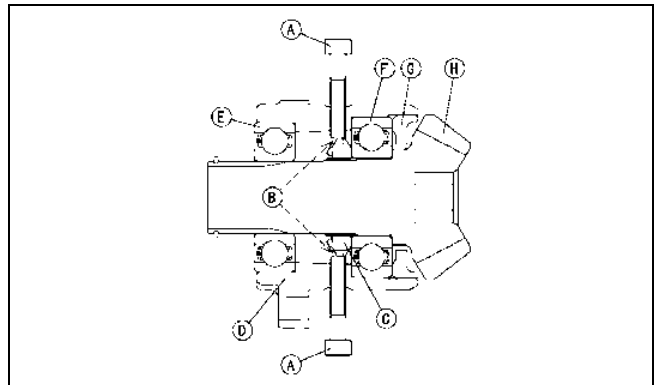
⚠ AT THIS POINT

If no abnormal wear, chipping, or bearing roughness is found, proceed to Installing Output Drive/Driven Bevel Gears in this sub-section.

1. Look through the bolt hole (B) in the drive housing (A); then rotate the drive bevel gear (C) until a notch in the internal bearing retainer nut can be seen.

KX298

2. Install and tighten four nut-holding bolts (A) in the four threaded holes. See illustration for location of assembly components.



ATV2078

Key:

- A. Nut-Holding Bolts
- B. Nut Notches
- C. Inner Bearing Holding Nut
- D. Drive Bevel Gear Housing
- E. Outer Ball Bearing
- F. Inner Ball Bearing
- G. Bearing Holder
- H. Drive Bevel Gear