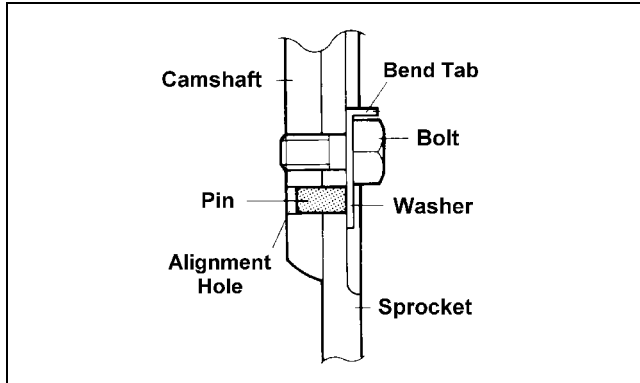
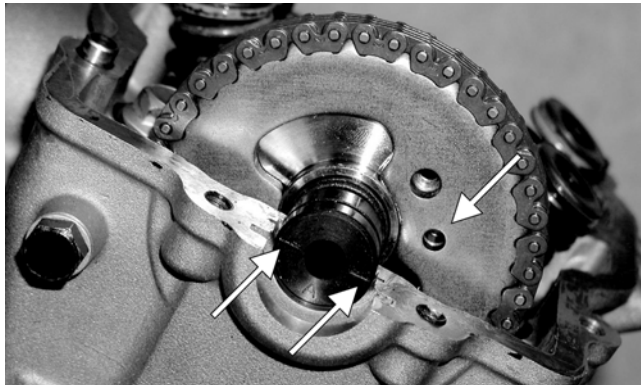


16. Place the tab washer onto the sprocket making sure it covers the pin in the alignment hole.



ATV-1027



CF030B

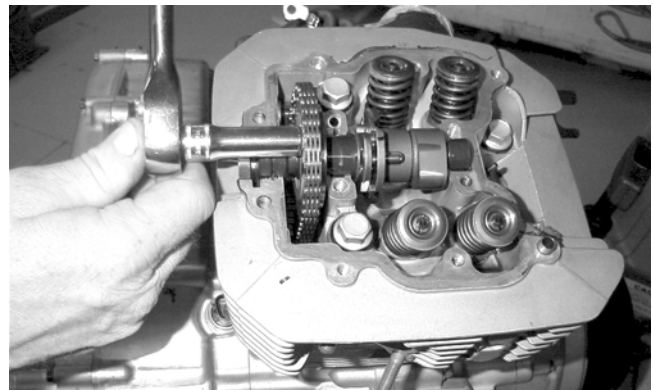
CAUTION

Care must be taken that the tab washer is installed correctly to cover the alignment hole on the sprocket. If the alignment pin falls out, severe engine damage will result.

17. Apply red Loctite #271 to the first cap screw securing the sprocket and tab washer to the camshaft; then install the cap screw. Tighten cap screw only until snug.

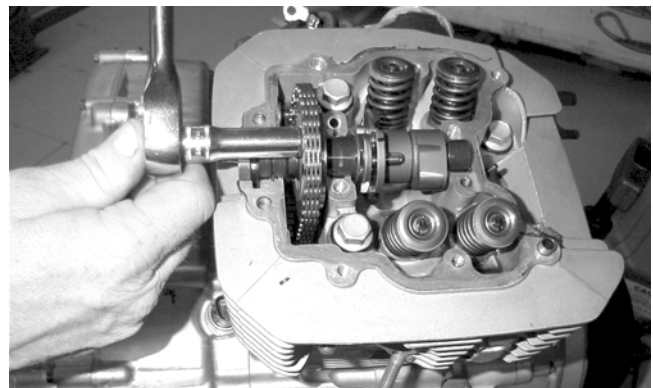


CC404D



MD1137

18. Rotate the crankshaft until the second cap screw securing the sprocket to the camshaft can be installed; then install the cap screw (threads coated with red Loctite #271). Tighten to specifications; then bend the tab to secure the cap screw.



MD1137

19. Rotate the crankshaft until the first cap screw securing the sprocket to the camshaft (from step 17) can be addressed; then install the cap screw. Tighten to specifications; then bend the tab to secure the cap screw.
20. Install the cylinder head plug in the cylinder head with the open end facing the cylinder head.
21. Remove the cap screw from the end of the chain tensioner; then account for the plunger, spring, and O-ring.



MD1248