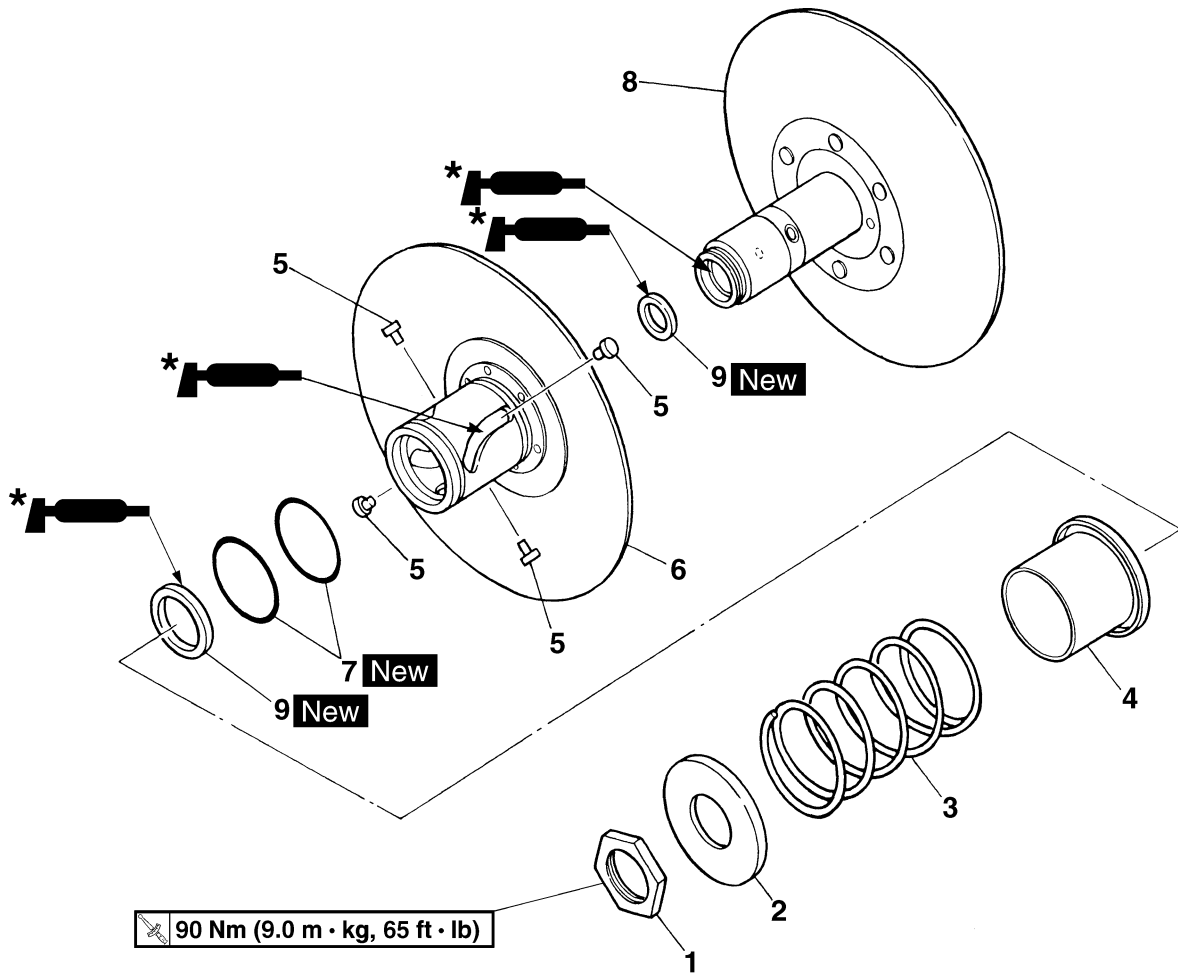


# PRIMARY AND SECONDARY SHEAVES

## Disassembling the secondary sheave



90 Nm (9.0 m · kg, 65 ft · lb)

Order	Job/Parts to remove	Q'ty	Remarks
1	Nut	1	
2	Spring seat	1	
3	Compression spring	1	
4	Spring seat	1	
5	Guide pin	4	
6	Secondary sliding sheave	1	
7	O-ring	2	
8	Secondary fixed sheave	1	
9	Oil seal	2	
			For assembly, reverse the disassembly procedure.

\* Apply BEL-RAY assembly lube®.