

LUBRICATION POINTS

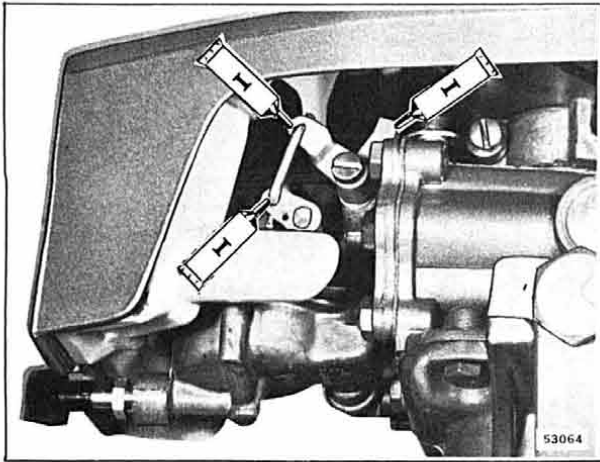


Figure 2-2. Throttle Cam and Carburetor Linkage Lubrication

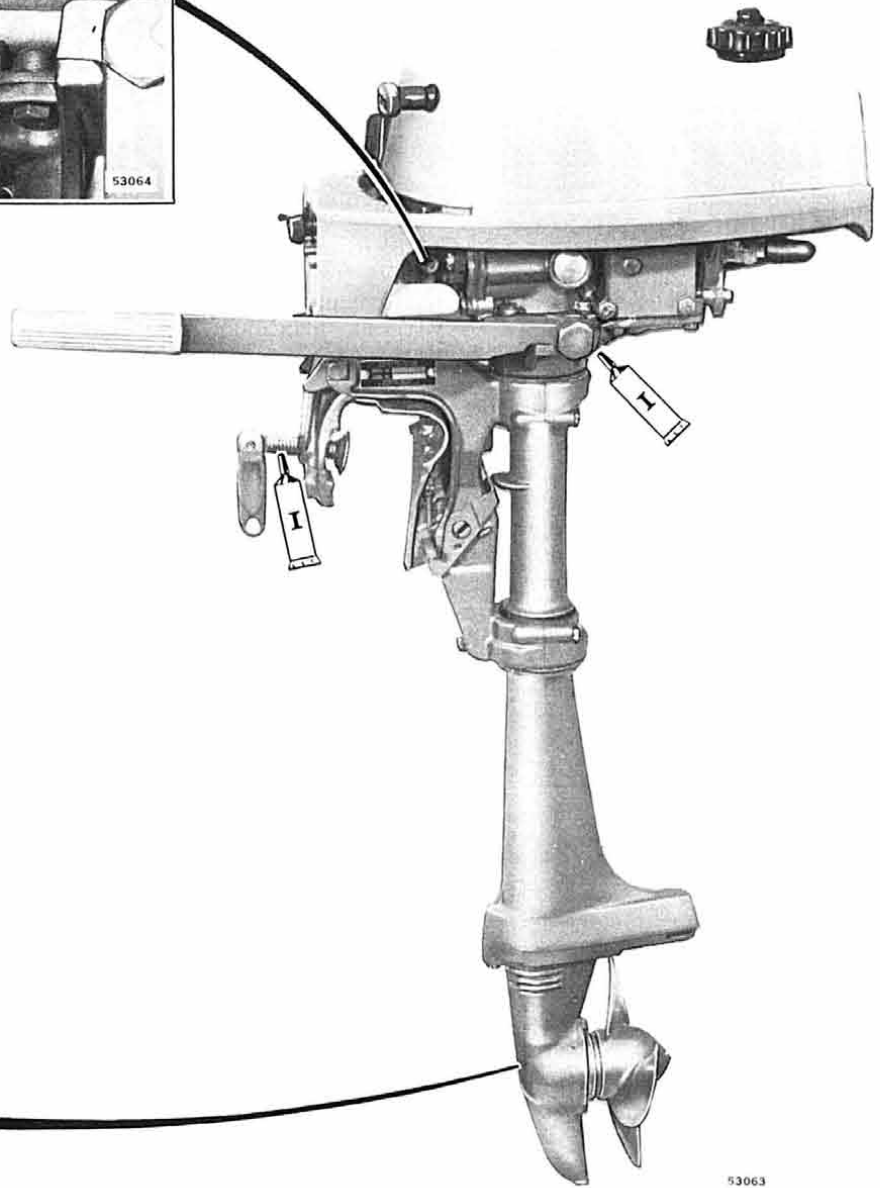


Figure 2-1. Steering Handle Pivot and Clamp Screw Lubrication

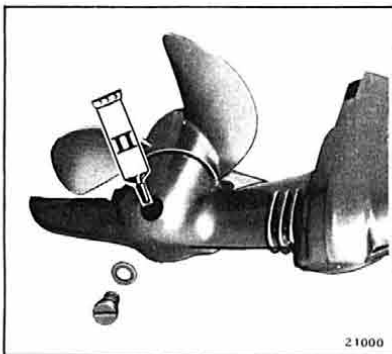


Figure 2-3. Gearcase Lubrication