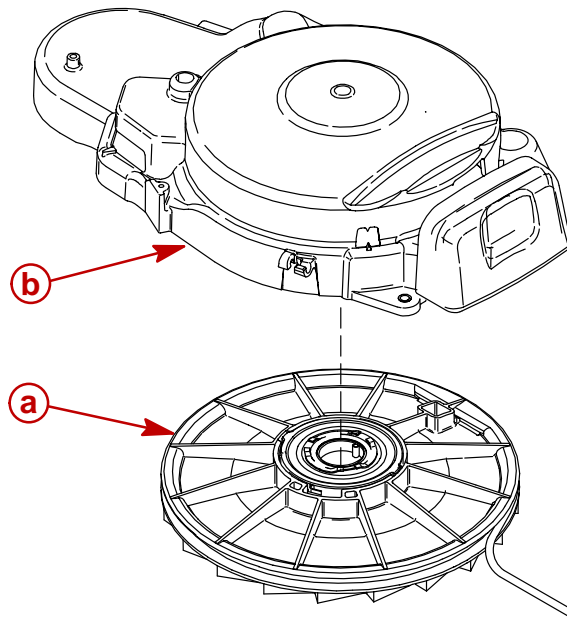




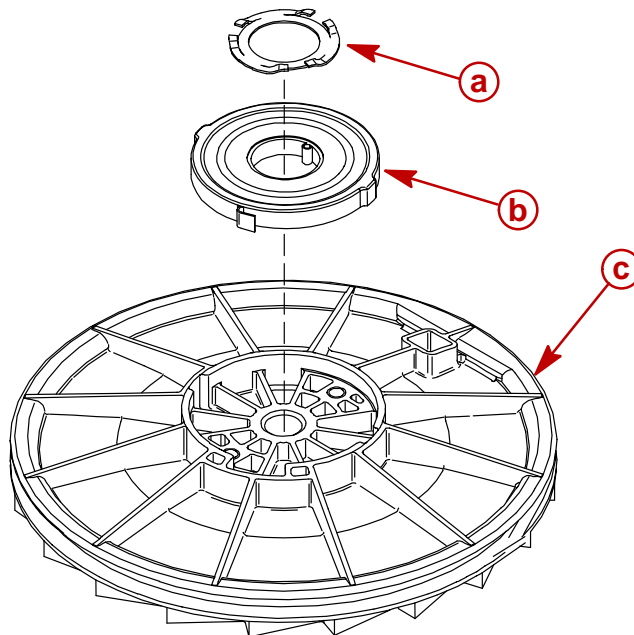
6. Remove starter sheave assembly from recoil housing.



- a** - Starter Sheave Assembly
- b** - Recoil Housing

7. Remove rope from starter sheave assembly.

8. Remove springwasher and spring assembly from starter sheave.



- a** - Springwasher
- b** - Spring Assembly
- c** - Starter Sheave