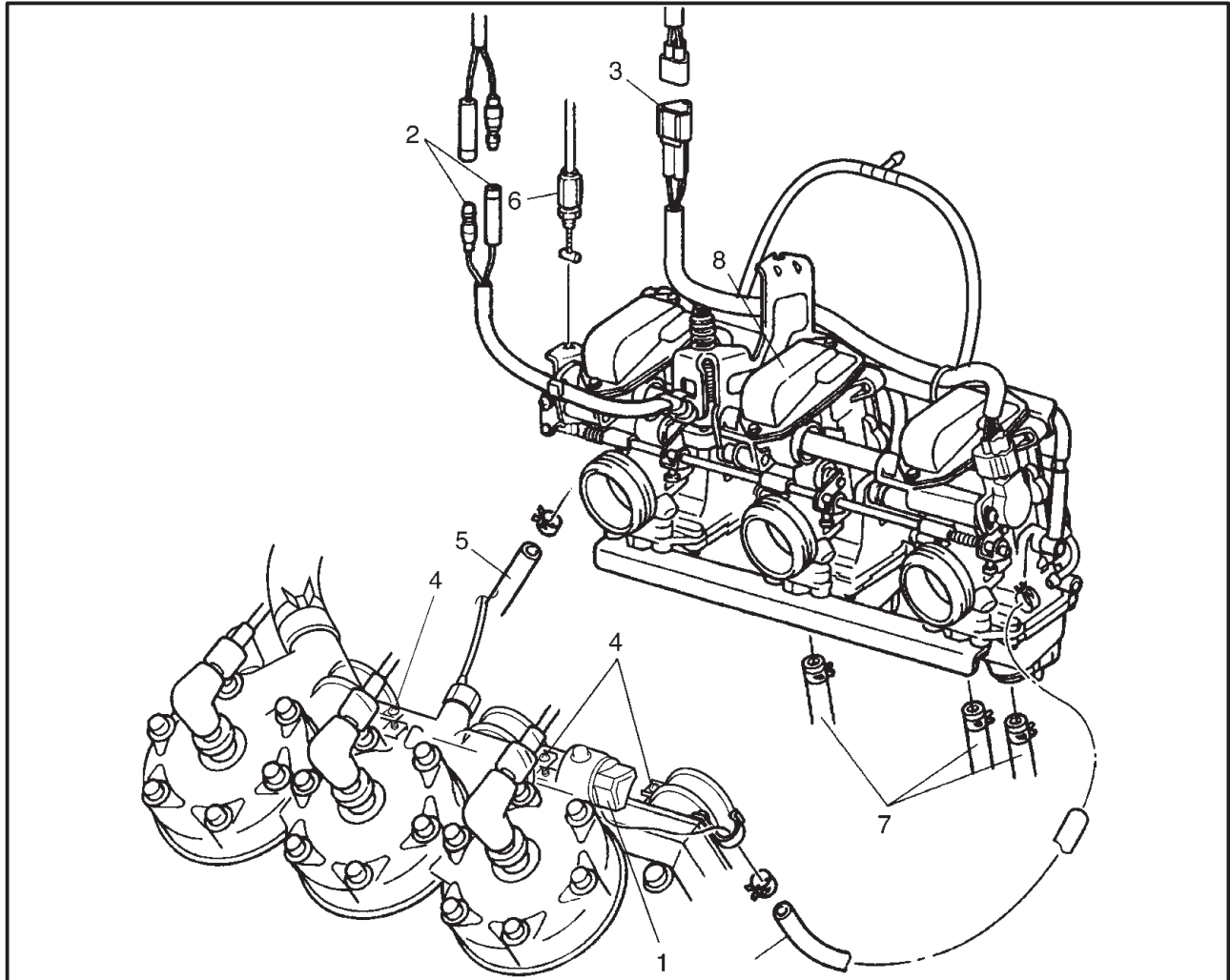


CARBURETION

CARBURETORS



Order	Job name/Part name	Q'ty	Remarks
	Carburetors removal		Remove the parts in the order listed below.
1	Throttle cable Intake silencer Carburetor heating knob	1	Refer to "FUEL PUMP" in CHAPTER 7. Before removing the carburetors, make sure that the carburetor heating knob is turned to "OFF".
2	Carburetor switch (T.O.R.S) lead	2	
3	Throttle position sensor coupler	1	Disconnect.
4	Clamp screw	3	Loosen.
5	Carburetor heating hose	2	
6	Starter cable	1	
7	Fuel hose	3	Disconnect.
8	Carburetor	3	For installation, reverse the removal procedure.