

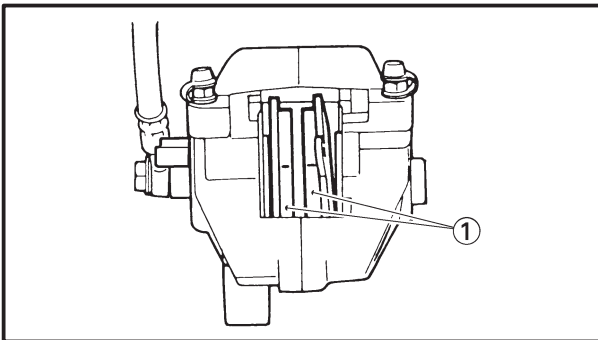
CAUTION:

Disc brake components rarely require disassembly. DO NOT:

- Do not disassemble components unless absolutely necessary.
- Do not use solvents on internal brake components.
- Do not use contaminated brake fluid for cleaning.
Use only clean brake fluid.
- Do not allow brake fluid to contact the eyes, otherwise eye injury may occur.
- Do not allow brake fluid to contact painted surfaces or plastic parts otherwise damage may occur.
- Do not disconnect any hydraulic connection, otherwise the entire system must be disassembled, drained, cleaned, and then properly filled and bled after reassembly.

BRAKE PAD REPLACEMENT**NOTE:**

It is not necessary to disassemble the brake caliper and brake hose in order to replace the brake pads.

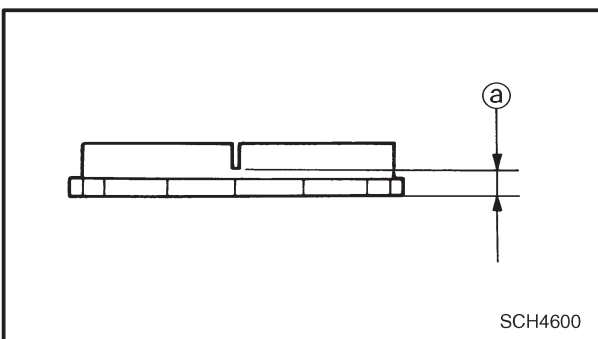


1. Remove:

- Brake pads ①

NOTE:

- Do not depress the brake lever when the caliper or disc is off the machine otherwise the brake pads will be forced shut.
- Install a new brake pad spring and shims when the brake pads are replaced.
- Replace the pads as a set if either one is found to be worn to the wear limit (a).



Wear limit:
7.5 mm (0.30 in)