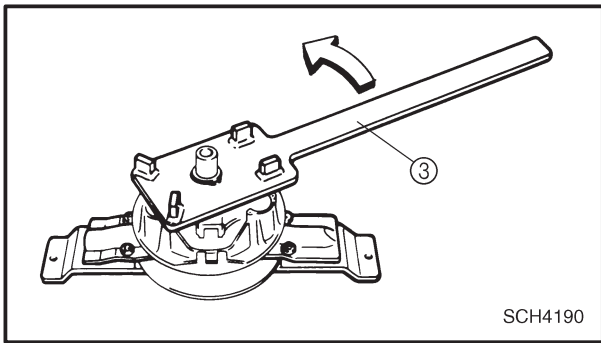


## PRIMARY SHEAVE AND DRIVE V-BELT



SCH4190

- Tighten the spider to specification using the bar wrench ③.



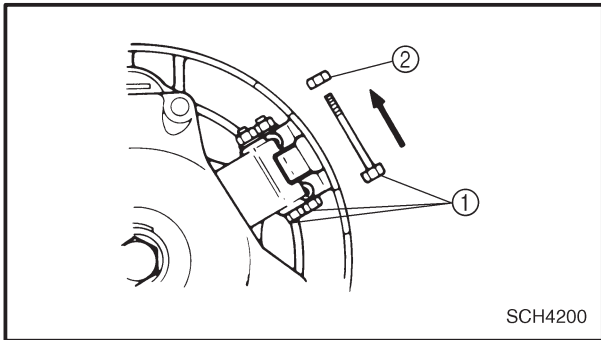
**Spider:**  
200 Nm (20 m•kg, 145 ft•lb)

### CAUTION:

The spider has a left-handed thread.

### WARNING

- Do not operate the primary sheave until the LOCTITE® has dried completely. Wait 24 hours before operating the primary sheave.
- Since a high torque is required to tighten the spider, make sure the spider, fixed sheave, and special tool are well secured. Tighten the spider carefully to prevent cracks and damage to the sheaves and spider.



SCH4200

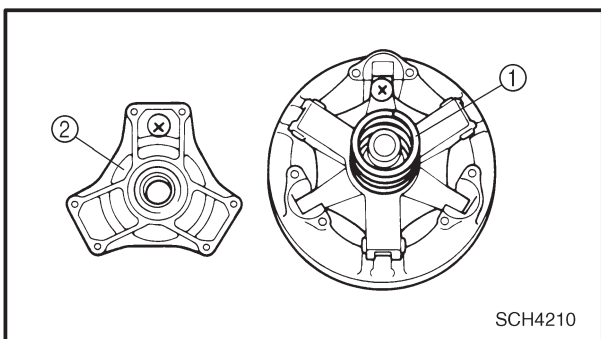
5. Install:
- Weight
  - Bolts ①
  - Nuts ②



**Nut:**  
6 Nm (0.6 m•kg, 4.3 ft•lb)

### NOTE:

To maintain the primary sheave balance, the bolts ② must be installed with their threaded portions pointing in a counterclockwise direction, as illustrated.



SCH4210

6. Install:
- Primary sheave spring ①
  - Primary sheave cap ②

### NOTE:

Be sure the sheave cap match mark (X) is aligned with the spider match mark (X).



**Primary sheave cap bolt:**  
14 Nm (1.4 m•kg, 10 ft•lb)